



The **SAFEST WATER** In The World

# AE Specifications

The MIOX AE system is a simplified automatic unit configured for permanent installations requiring between 4 and 8 lbs/day (1.8 – 3.6 kg/day) of mixed oxidants measured as Free Available Chlorine (FAC). Available as a skid-mounted or stand-alone system, the AE is ideal for industrial applications and small rural and remote communities. The system activates based upon a level sensor measuring the volume of oxidant in a storage tank. After connection to water and a power source, the only routine operator service requirements are to load salt into the brine generator.



AE-4 skid-mounted unit shown

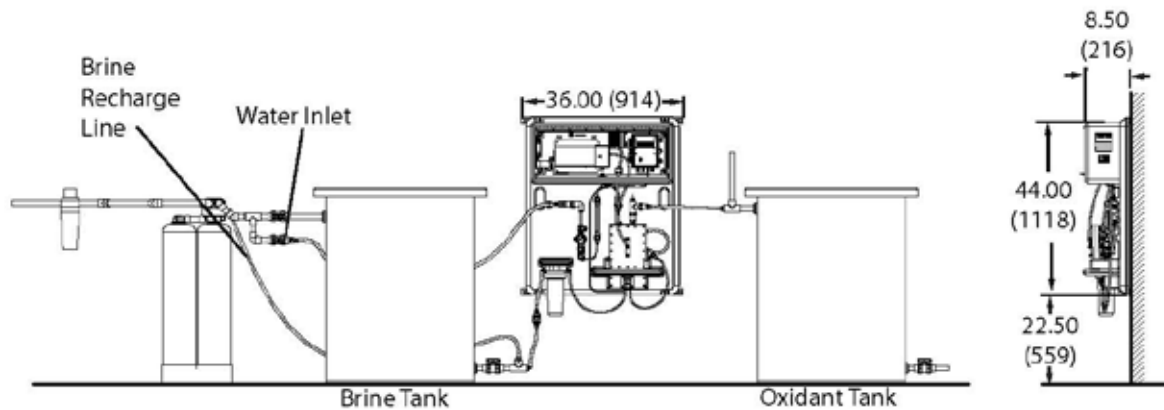
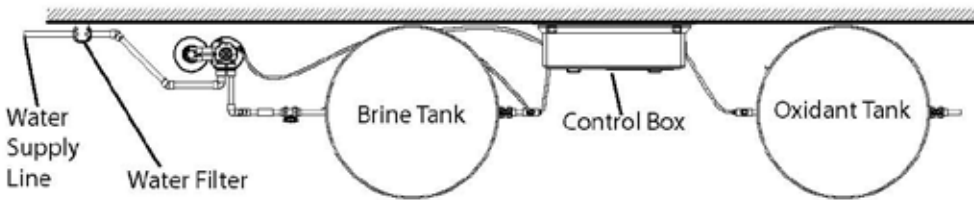
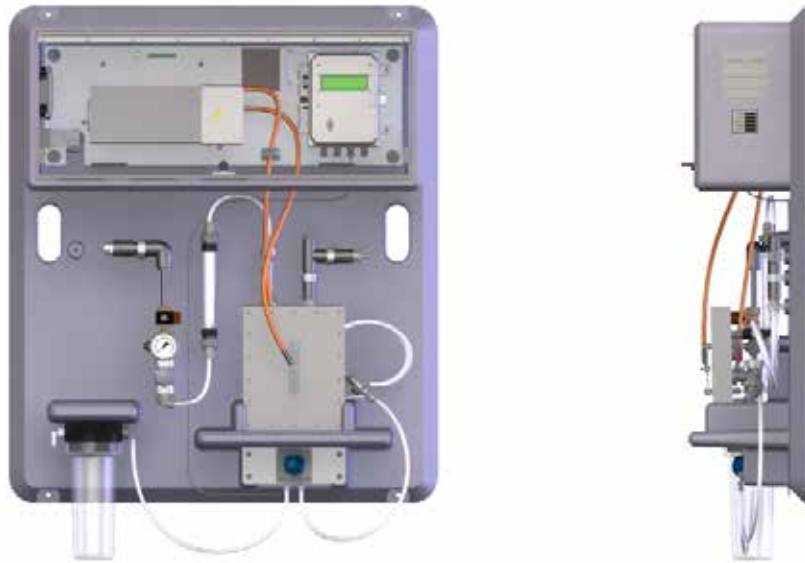
	AE4	AE6	AE8
<b>Rated FAC Capacity*</b>	4 lb/day (1.8 kg/day)	6 lb/day (2.7 kg/day)	8 lb/day (3.6 kg/day)
<b>Water Treatment Capacity (at 1 ppm FAC)</b>	480,000 gal/day (1,817 m <sup>3</sup> /day)	720,000 gal/day (2,726 m <sup>3</sup> /day)	960,000 gal/day (3,634 m <sup>3</sup> /day)
<b>Salt Conversion (SCE)</b>	3.0 lb salt/lb FAC (3.0 kg salt/kg FAC)	3.0 lb salt/lb FAC (3.0 kg salt/kg FAC)	3.0 lb salt/lb FAC (3.0 kg salt/kg FAC)
<b>Energy Conversion (ECE)</b>	3.5 kW-hr/lb FAC (7.7 kW-hr/kg FAC)	3.5 kW-hr/lb FAC (7.7 kW-hr/kg FAC)	3.5 kW-hr/lb FAC (7.7 kW-hr/kg FAC)
<b>FAC Concentration*</b>	3,800	4,200	5,000
<b>Flow Rate</b>	6	9	9
<b>Softener Flow During Regeneration</b>	CC208s: 84 GPH (14 gal max) (318 LPH(53 L max)) CP208s: 120 GPH (35 gal max) (454 LPH(132 L max))		
<b>Electrical Service</b>	110 or 220 VAC 1 ph 20A 50/60 Hz	110 or 220 VAC 1 ph 20A 50/60 Hz	220 VAC 1 ph 20A 50/60 Hz
<b>Nominal Energy to Unit</b>	110 VAC: 12A, 1.3 KVA 220 VAC: 6A, 1.3 KVA	110 VAC: 15A, 1.7 KVA 220 VAC: 7.5A, 1.7 KVA	220 VAC: 9A, 2.0 KVA
<b>Air Temp. Required</b>	42° to 110° F 6° to 43°C		
<b>Cell Voltage</b>	12 VDC		
<b>Feed Water Temp. Required</b>	50° to 85° F 10° to 24°C		
<b>Feed Water Pressure</b>	> 25 < 75 psi > 172 < 517 kPA		
<b>Shipping Size (W x D x H)</b>	45 x 44 x 19 inches 94 x 86.4 x 68.6 cm		
<b>Shipping Weight (Appx.)</b>	110 lb 45 kg		

\* Production may vary depending on salt and water quality. Rated production capacities may be lower than actual data due to system production margins.

**Note: This electronic document is controlled. Once this document is printed it becomes uncontrolled and obsolete. Refer only to electronic document for the latest information.**



The **SAFEST WATER** In The World



**Note: This electronic document is controlled. Once this document is printed it becomes uncontrolled and obsolete. Refer only to electronic document for the latest information.**

For more information, contact Legionella Control Systems  
EMAIL: [info@legcs.com](mailto:info@legcs.com) PHONE: +1 888-416-8626 WEB: [www.legcs.com](http://www.legcs.com)